

## 真空配件 - CF 系列

## Vacuum Fittings-CF Series



## Standard Specification

**Application:** Ultra High Vacuum

**Materials:** 304 or 316L

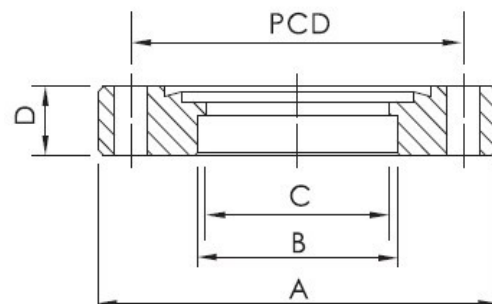
**Flange Sizes:** CF16-CF350

**Vacuum Range:** 760 Torr -  $1 \times 10^{-13}$  Torr

**Gasket Material:** OFHC Copper

**Temperature Range:** -196°C-450°C

## CF Bored Flanges, Fixed



## Bolt Holes

Unit:mm

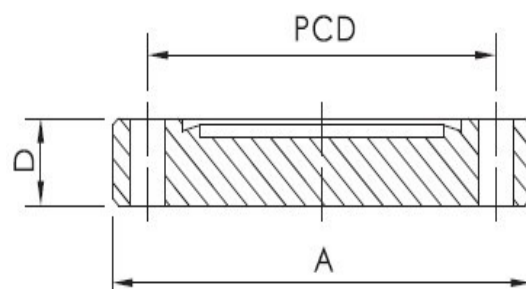
Model No.	A	B	C	D	PCD	Bolt Holes	Material
CF16B9	34.00	9.65	7.90	7.30	27.00	4.3*6	304 S.S.
CF16B12	34.00	12.90	10.40	7.30	27.00	4.3*6	304 S.S.
CF16B19	34.00	19.30	16.00	7.30	27.00	4.3*6	304 S.S.
CF25B25	54.00	25.60	23.10	10.50	43.00	6.6*6	304 S.S.
CF35B19	70.00	19.30	16.00	12.70	58.70	6.6*6	304 S.S.
CF35B25	70.00	25.60	23.10	12.70	58.70	6.6*6	304 S.S.
CF35B38	70.00	38.30	35.80	12.70	58.70	6.6*6	304 S.S.
CF50B51	86.00	51.10	48.50	16.00	72.40	8.4*8	304 S.S.
CF63B63	114.00	63.70	61.20	17.50	92.20	8.4*8	304 S.S.
CF80B76	117.00	76.50	74.80	20.00	102.40	8.4*10	304 S.S.
CF100B102	152.00	101.80	99.60	20.00	130.30	8.4*16	304 S.S.
CF150B153	202.00	152.90	148.00	22.00	181.00	8.4*20	304 S.S.
CF200B204	253.00	203.70	198.80	24.50	231.80	8.4*24	304 S.S.
CF250B255	305.00	254.50	248.60	26.00	284.00	8.4*32	304 S.S.

## Tapped Holes

Unit:mm

Model No.	A	B	C	D	PCD	Thread Holes	Material
CF16B9TAP	34.00	9.65	7.90	7.30	27.00	M4*6	304 S.S.
CF16B13TAP	34.00	12.90	10.40	7.30	27.00	M4*6	304 S.S.
CF16B19TAP	34.00	19.30	16.00	7.30	27.00	M4*6	304 S.S.
CF25B25TAP	54.00	25.60	23.10	10.50	43.00	M6*6	304 S.S.
CF35B19TAP	70.00	19.30	16.00	12.70	58.70	M6*6	304 S.S.
CF35B25TAP	70.00	25.60	23.10	12.70	58.70	M6*6	304 S.S.
CF35B38TAP	70.00	38.30	35.80	12.70	58.70	M6*6	304 S.S.
CF50B51TAP	86.00	51.10	48.50	16.00	72.40	M8*8	304 S.S.
CF63B63TAP	114.00	63.70	61.20	17.50	92.20	M8*8	304 S.S.
CF80B76TAP	117.00	76.50	74.80	20.00	102.40	M8*10	304 S.S.
CF100B102TAF	152.00	101.80	99.60	20.00	130.30	M8*16	304 S.S.
CF150B153TAF	202.00	152.90	148.00	22.00	181.00	M8*20	304 S.S.
CF200B204TAF	253.00	203.70	198.80	24.50	231.80	M8*24	304 S.S.
CF250B255TAF	305.00	254.50	248.60	26.00	284.00	M8*32	304 S.S.

## CF Blank Flanges, Fixed



## Bolt Holes

Unit:mm

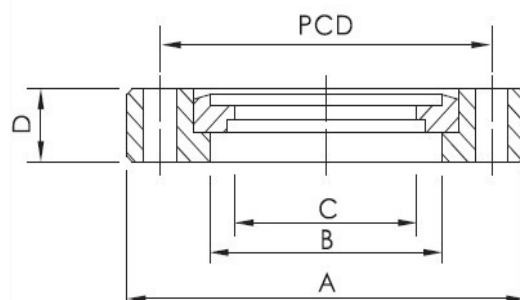
Model No.	A	D	PCD	Bolt Holes	Material
CF16B	34.00	7.30	27.00	4.3*6	304 S.S.
CF25B	54.00	10.50	43.00	6.6*6	304 S.S.
CF35B	70.00	12.70	58.70	6.6*6	304 S.S.
CF50B	86.00	16.00	72.40	8.4*8	304 S.S.
CF63B	114.00	17.50	92.20	8.4*8	304 S.S.
CF80B	117.00	20.00	102.40	8.4*10	304 S.S.
CF100B	152.00	20.00	130.30	8.4*16	304 S.S.
CF150B	202.00	22.00	181.00	8.4*20	304 S.S.
CF200B	253.00	24.50	231.80	8.4*24	304 S.S.
CF250B	305.00	26.00	284.00	8.4*32	304 S.S.

## Tapped Holes

Unit:mm

Model No.	A	D	PCD	Thread Holes	Material
CF16BTAP	34.00	7.30	27.00	M4*6	304 S.S.
CF25BTAP	54.00	10.50	43.00	M6*6	304 S.S.
CF35BTAP	70.00	12.70	58.70	M6*6	304 S.S.
CF50BTAP	86.00	16.00	72.40	M8*8	304 S.S.
CF63BTAP	114.00	17.50	92.20	M8*8	304 S.S.
CF80BTAP	117.00	20.00	102.40	M8*10	304 S.S.
CF100BTAP	152.00	20.00	130.30	M8*16	304 S.S.
CF150BTAP	202.00	22.00	181.00	M8*20	304 S.S.
CF200BTAP	253.00	24.50	231.80	M8*24	304 S.S.
CF250BTAP	305.00	26.00	284.00	M8*32	304 S.S.

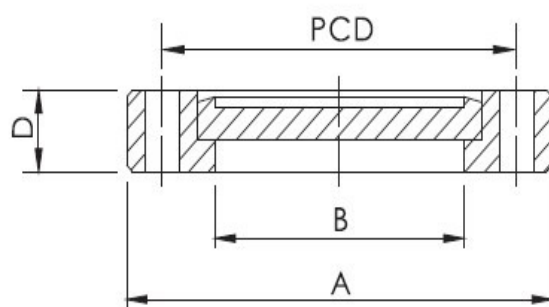
## CF Bored Flanges, Rotatable



Unit:mm

Model No.	A	B	C	D	PCD	Bolt Holes	Material
CR16B9	34.00	9.65	7.90	7.30	27.00	4.3*6	304 S.S.
CR16B12	34.00	12.90	10.40	7.30	27.00	4.3*6	304 S.S.
CR16B19	34.00	19.30	16.00	7.30	27.00	4.3*6	304 S.S.
CR25B25	54.00	25.60	23.10	10.50	43.00	6.6*6	304 S.S.
CR35B19	70.00	19.30	16.00	12.70	58.70	6.6*6	304 S.S.
CR35B25	70.00	25.60	23.10	12.70	58.70	6.6*6	304 S.S.
CR35B38	70.00	38.30	35.80	12.70	58.70	6.6*6	304 S.S.
CR50B51	86.00	51.10	48.50	16.00	72.40	8.4*8	304 S.S.
CR63B63	114.00	63.70	61.20	17.50	92.20	8.4*8	304 S.S.
CR80B76	117.00	76.50	74.80	20.00	102.40	8.4*10	304 S.S.
CR100B102	152.00	101.80	99.60	20.00	130.30	8.4*16	304 S.S.
CR150B153	202.00	152.90	148.00	22.00	181.00	8.4*20	304 S.S.
CR200B204	253.00	203.70	198.80	24.50	231.80	8.4*24	304 S.S.
CR250B255	305.00	254.50	248.60	26.00	284.00	8.4*32	304 S.S.

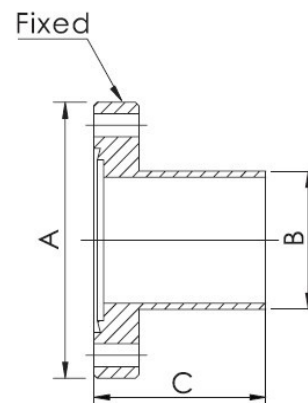
## CF Blank Flanges, Rotatable



Unit:mm

Model No.	A	B	D	PCD	Bolt Holes	Material
CR16B	34.00	19.50	7.30	27.00	4.3*6	304 S.S.
CR25B	54.00	28.00	10.50	43.00	6.6*6	304 S.S.
CR35B	70.00	39.00	12.70	58.70	6.6*6	304 S.S.
CR50B	86.00	56.00	16.00	72.40	8.4*8	304 S.S.
CR63B	114.00	71.00	17.50	92.20	8.4*8	304 S.S.
CR80B	117.00	80.00	20.00	102.40	8.4*10	304 S.S.
CR100B	152.00	109.00	20.00	130.30	8.4*16	304 S.S.
CR150B	202.00	160.00	22.00	181.00	8.4*20	304 S.S.
CR200B	253.00	208.00	24.50	231.80	8.4*24	304 S.S.
CR250B	305.00	262.00	26.00	284.00	8.4*32	304 S.S.

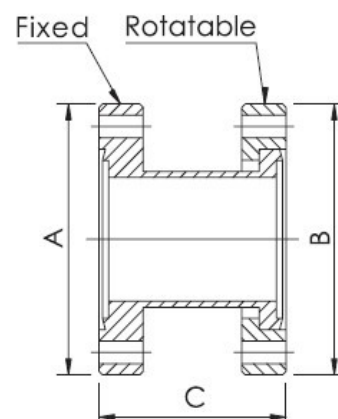
## CF Half Nipples, Fixed



Unit:mm

Model No.	A	B	C	Material
CF16HN	34.00	19.05	38.00	304 S.S.
CF25HN	54.00	25.40	52.00	304 S.S.
CF35HN	70.00	38.10	63.00	304 S.S.
CF50HN	86.00	50.80	82.00	304 S.S.
CF63HN	114.00	63.50	105.00	304 S.S.
CF80HN	117.00	76.20	125.00	304 S.S.
CF100HN	152.00	101.60	135.00	304 S.S.
CF150HN	202.00	152.40	167.00	304 S.S.
CF200HN	253.00	203.20	167.00	304 S.S.

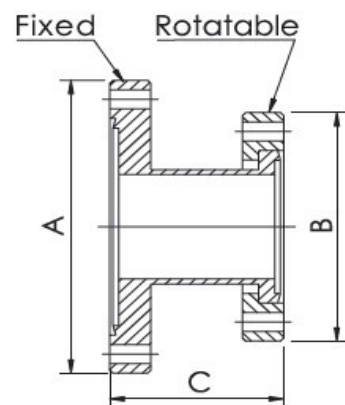
## CF Full Nipples-1 Flange Rotatable



Unit:mm

Model No.	A	B	C	Material
CF16FNR	34.00	34.00	76.00	304 S.S.
CF25FNR	54.00	54.00	104.00	304 S.S.
CF35FNR	70.00	70.00	126.00	304 S.S.
CF50FNR	86.00	86.00	164.00	304 S.S.
CF63FNR	114.00	114.00	210.00	304 S.S.
CF80FNR	117.00	117.00	250.00	304 S.S.
CF100FNR	152.00	152.00	270.00	304 S.S.
CF150FNR	202.00	202.00	334.00	304 S.S.
CF200FNR	253.00	253.00	334.00	304 S.S.

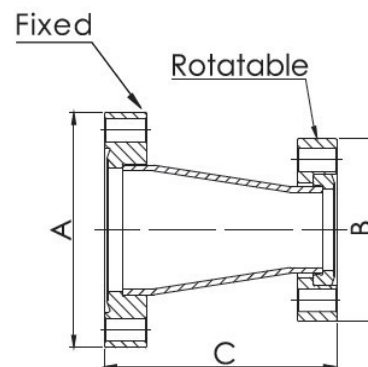
## CF Straight Reduceing Adaptor



Unit:mm

Model No.	A	B	C	Material
CF35SRA16	54.00	34.00	45.00	304 S.S.
CF63SRA16	114.00	34.00	70.00	304 S.S.
CF63SRA35	114.00	70.00	75.00	304 S.S.
CF100SRA35	152.00	70.00	127.00	304 S.S.
CF160SRA35	202.00	70.00	127.00	304 S.S.
CF160SRA100	202.00	152.00	127.00	304 S.S.
CF200SRA35	253.00	70.00	127.00	304 S.S.
CF200SRA63	253.00	86.00	127.00	304 S.S.
CF200SRA100	253.00	152.00	127.00	304 S.S.
CF200SRA150	253.00	202.00	127.00	304 S.S.

## CF Conical Reduceing Adaptor

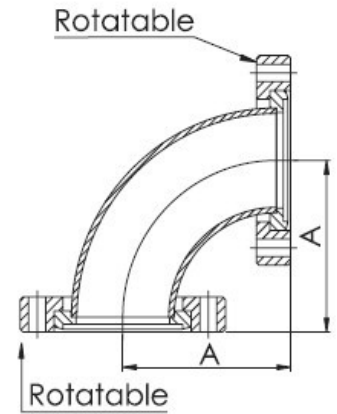


Unit:mm

Model No.	A	B	C	Material
CF25CRA16	54.00	34.00	44.40	304 S.S.
CF35CRA16	70.00	34.00	69.70	304 S.S.
CF35CRA25	70.00	54.00	70.90	304 S.S.
CF50CRA25	86.00	54.00	71.90	304 S.S.
CF50CRA35	86.00	70.00	71.90	304 S.S.
CF63CRA35	114.00	70.00	74.90	304 S.S.
CF63CRA50	114.00	86.00	75.90	304 S.S.
CF80CRA50	117.00	86.00	107.60	304 S.S.
CF80CRA63	117.00	114.00	110.60	304 S.S.
CF100CRA50	152.00	86.00	109.40	304 S.S.
CF100CRA63	152.00	114.00	112.40	304 S.S.
CF100CRA80	152.00	117.00	112.40	304 S.S.



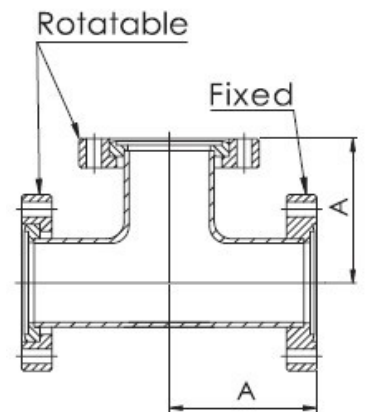
## CF 90°Elbows-2 Flanges Rontatable



Unit:mm

Model No.	A	Material
CR16EL90A	38.60	304 S.S.
CR25EL90A	57.70	304 S.S.
CR35EL90A	79.90	304 S.S.
CR50EL90A	109.50	304 S.S.
CR63EL90A	141.10	304 S.S.
CR100EL90A	222.00	304 S.S.
CR150EL90A	241.10	304 S.S.

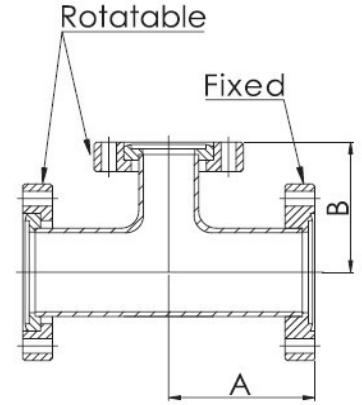
## CF Equal Tees-2 Flanges Rontatable



Unit:mm

Model No.	A	Material
CR16TA	38.60	304 S.S.
CR25TA	52.90	304 S.S.
CR35TA	62.50	304 S.S.
CR50TA	82.50	304 S.S.
CR63TA	85.50	304 S.S.
CR80TA	91.60	304 S.S.
CR100TA	109.30	304 S.S.
CR150TA	139.40	304 S.S.

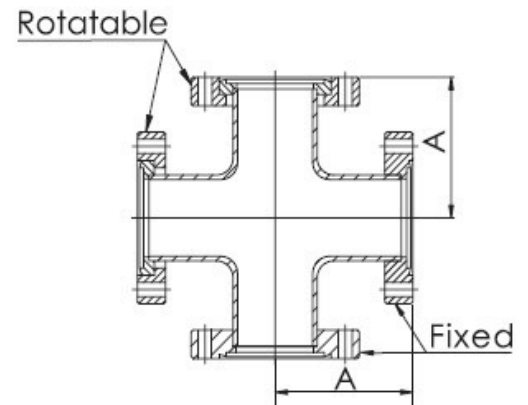
## CF Unequal Tees-2 Flanges Rotatable



Unit:mm

Model No.	A	B	Material
CR35UT16A	62.50	52.30	304 S.S.
CR35UT25A	62.50	59.30	304 S.S.
CR50UT16A	82.50	58.50	304 S.S.
CR50UT35A	82.50	68.80	304 S.S.
CR63UT35A	85.50	75.20	304 S.S.
CR63UT50A	85.50	88.90	304 S.S.
CR80UT50A	91.80	95.20	304 S.S.
CR80UT63A	91.80	91.80	304 S.S.
CR100UT50A	109.30	107.90	304 S.S.
CR100UT63A	109.30	104.60	304 S.S.
CR100UT80A	109.30	104.60	304 S.S.

## CF 4-Way Crosses-2 Flanges Rotatable

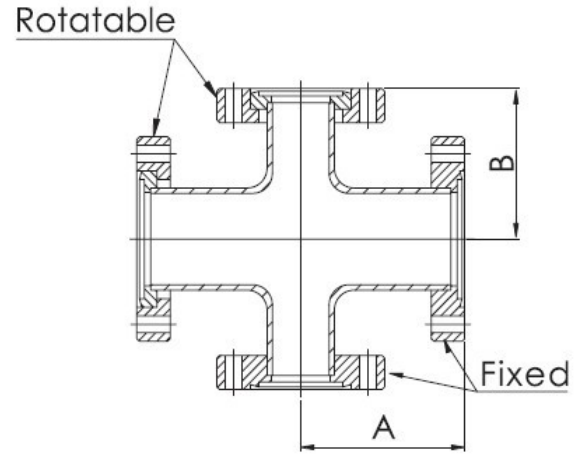


Unit:mm

Model No.	A	Material
CR16XA	38.60	304 S.S.
CR25XA	52.90	304 S.S.
CR35XA	62.50	304 S.S.
CR50XA	82.50	304 S.S.
CR63XA	88.50	304 S.S.
CR80XA	91.80	304 S.S.
CR100XA	109.30	304 S.S.
CR150XA	139.40	304 S.S.



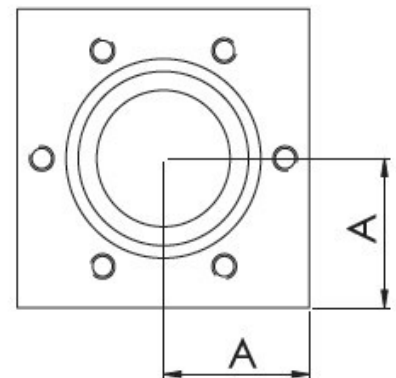
## CF Unequal 4-Way Crosses-2 Flanges Rotatable



Unit:mm

Model No.	A	B	Material
CR35UX16A	62.50	52.30	304 S.S.
CR35UX25A	62.50	59.30	304 S.S.
CR50UX16A	82.50	58.50	304 S.S.
CR50UX35A	82.50	68.80	304 S.S.
CR63UX35A	85.50	75.20	304 S.S.
CR63UX50A	85.50	88.90	304 S.S.
CR80UX50A	91.80	95.20	304 S.S.
CR80UX63A	91.80	91.80	304 S.S.
CR100UX50A	109.30	107.90	304 S.S.
CR100UX63A	109.30	104.60	304 S.S.
CR100UX80A	109.30	104.60	304 S.S.

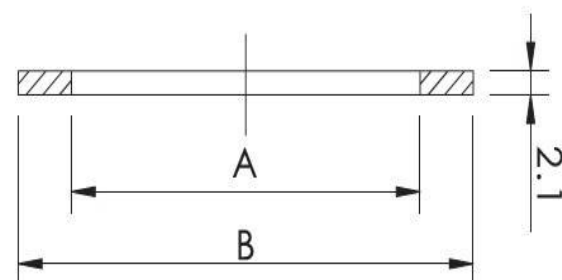
## CF 6-Way Cubes



Unit:mm

Model No.	A	Material
6C-CF16	17.00	304 S.S.
6C-CF35	34.80	304 S.S.
6C-CF50	42.70	304 S.S.
6C-CF63	56.60	304 S.S.
6C-CF100	75.70	304 S.S.

## CF Copper Gasket



Unit:mm

Model No.	A	B	Material	Inch Type
CF16CG	16.20	21.25	Copper	CF1.33"
CF25CG	25.60	32.77	Copper	CF2.12"
CF35CG	36.80	48.10	Copper	CF2.75"
CF50CG	51.60	61.60	Copper	CF3.38"
CF63CG	63.60	82.35	Copper	CF4.50"
CF80CG	76.45	91.39	Copper	CF4.62"
CF100CG	101.80	120.45	Copper	CF6.00"
CF160CG	152.60	171.25	Copper	CF8.00"
CF200CG	203.40	222.05	Copper	CF10.0"
CF250CG	154.20	272.85	Copper	CF12.0"
CF300CG	300.00	313.00	Copper	CF14.0"
CF350CG	356.50	376.60	Copper	CF16.0"

